

SUNNISKY LD860 Bi-directional Distribution Amplifier

SUNNISKY LD860 is one 860MHz bi-directional distribution amplifier. All of them suit for HFC network with the features of high performance, reliability and low price.



Feature

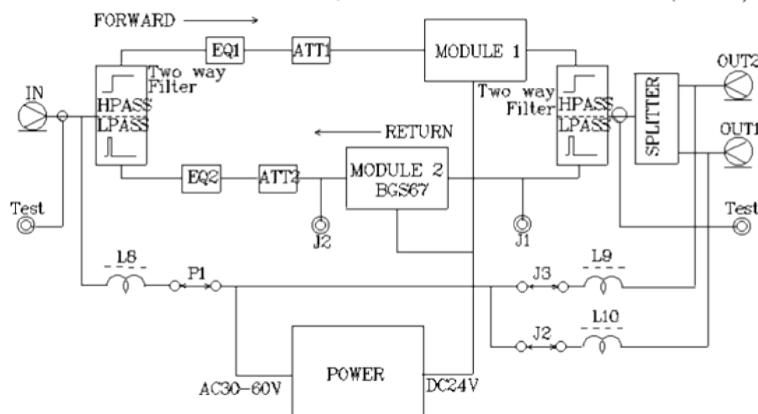
- High efficient switch regulated power supply
- -20dB level for output test or distribution output
- Waterproof housing coating

Specification

FREQUENCY RESPONSE	FORWARD (Optional)	47/54/88~860MHz
	REVERSE (Optional)	5~30/40/65MHz
GAIN	FORWARD	30dB(For -20dB Branch output) 26dB(For Distribution output)
	REVERSE (Optional)	18, 20dB
NOISE FIGURE	FORWARD	≤10dB
	REVERSE	≤8dB
RETURN LOSS(75Ω)	FORWARD	≥12dB
	REVERSE	≥12dB
FLATNESS	FORWARD	±0.75dB
	REVERSE	±0.75dB
POWER SUPPLY	60 VAC: 30V~70V/1-0.5A; 220 VAC: 150V~265V /0.3-0.2A	

Note: All specifications are subject to change without notice.

Block Diagram



北京阳天宽频网络技术有限公司
 Beijing Sunnisky B. N. T. Co. Ltd
 Tel: 0086-10-62102126 FAX:0086-10-82645461
 E-mail: sales@sunnisky.com
 www.sunnisky.com