

SUNNISKY LA8602 GaAs Bi-directional Line Amplifier

SUNNISKY LA8602 is one bi-directional line amplifier. It integrates forward amplifier, reverse amplifier and thermal compensator in a waterproof housing coating, it has the features of high performance, reliability, low price, and it also could optimize HFC TV network.

Feature

- GaAs power double amplifier module output
- Bi-directional amplifier can transport TV and data signal
- High efficient switch power supply
- Automatic adjusts gain according to the output level or environment temperature
- Waterproof housing coating

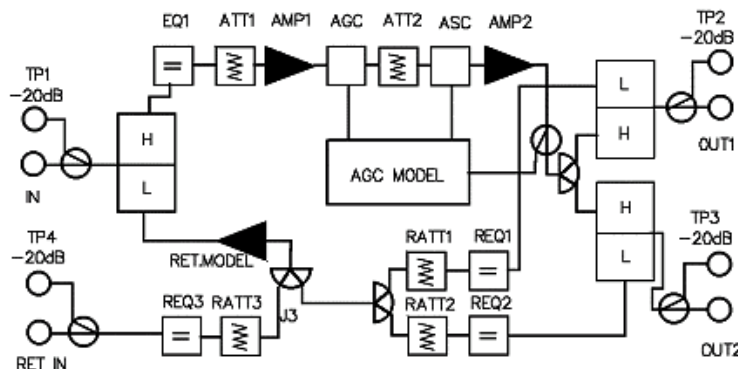


Specifications

| | | |
|--------------------------------|---|------------------|
| FREQUENCY RESPONSE | FORWARD (Optional) | 47/65/88~860MHz |
| | REVERSE (Optional) | 5~30/42/65MHz |
| GAIN | FORWARD | 30dB |
| | REVERSE (Optional) | 22dB |
| NOISE FIGURE | FORWARD | ≤10dB |
| | REVERSE | ≤8dB |
| OUTPUT LEVEL | FORWARD | 102dBμV |
| CONDUCT FEQUENCY | | 471MHz(Optional) |
| AGC RANGE(Optional) | | ±4dB±0.3dB |
| DISTORTION CTB | FORWARD (INPUT 59TV CHANNELS & 200MHz DIGITAL SIGNAL) | ≤-65dBc |
| DISTORTION CSO | | ≤-63dBc |
| RETURN LOSS (75Ω) | FORWARD | ≥15dB |
| | REVERSE | ≥15dB |
| FLATNESS | FORWARD | ±0.75dB |
| | REVERSE | ±0.75dB |
| THERMAL COMPENSATOR (Optional) | COMPENSATOR RANGE 0℃~60℃ | 3.5dB |
| POWER SUPPLY | 60V AC: 30V~70V/1~0.5A; 220V AC: 150V~265V /0.3~0.2A | |
| OPERATING EMPERATURE | -20℃~ +50℃ | |
| WEIGHT | 2.5Kg | |
| DIMENSIONS (LxWxH) | 28cmx209cmx10cm | |

Note: All specifications are subject to change without notice.

Block Diagram



北京阳光宽频网络技术有限公司
Beijing Sunnisky B. N. T. Co. Ltd
Tel: 0086-10-62102126 FAX:0086-10-82645461
E-mail: sales@sunnisky.com
www.sunnisky.com